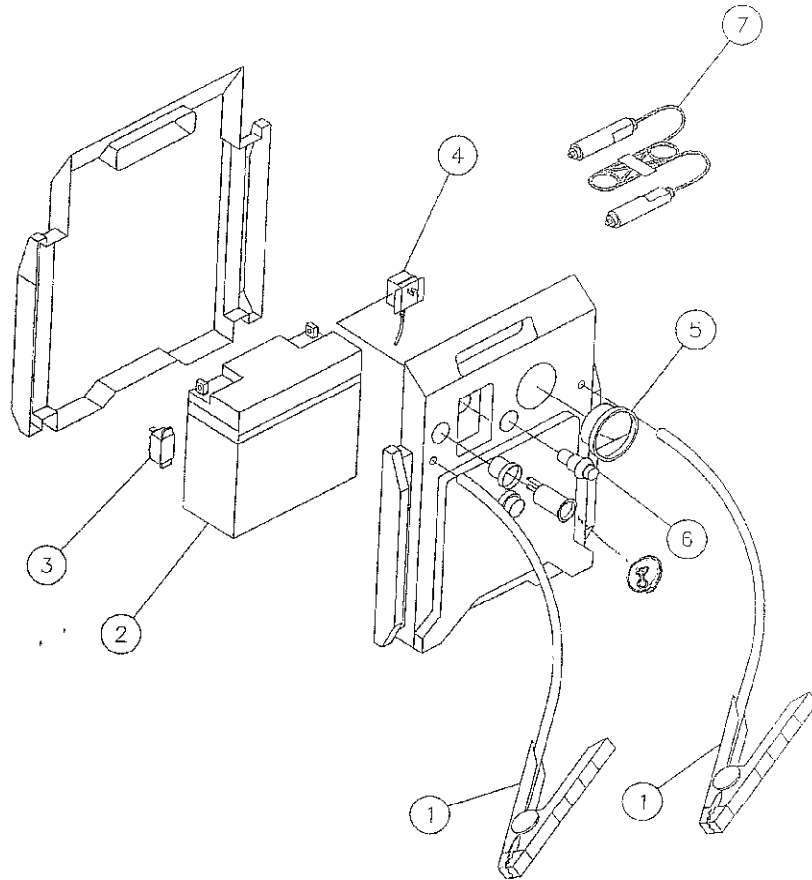
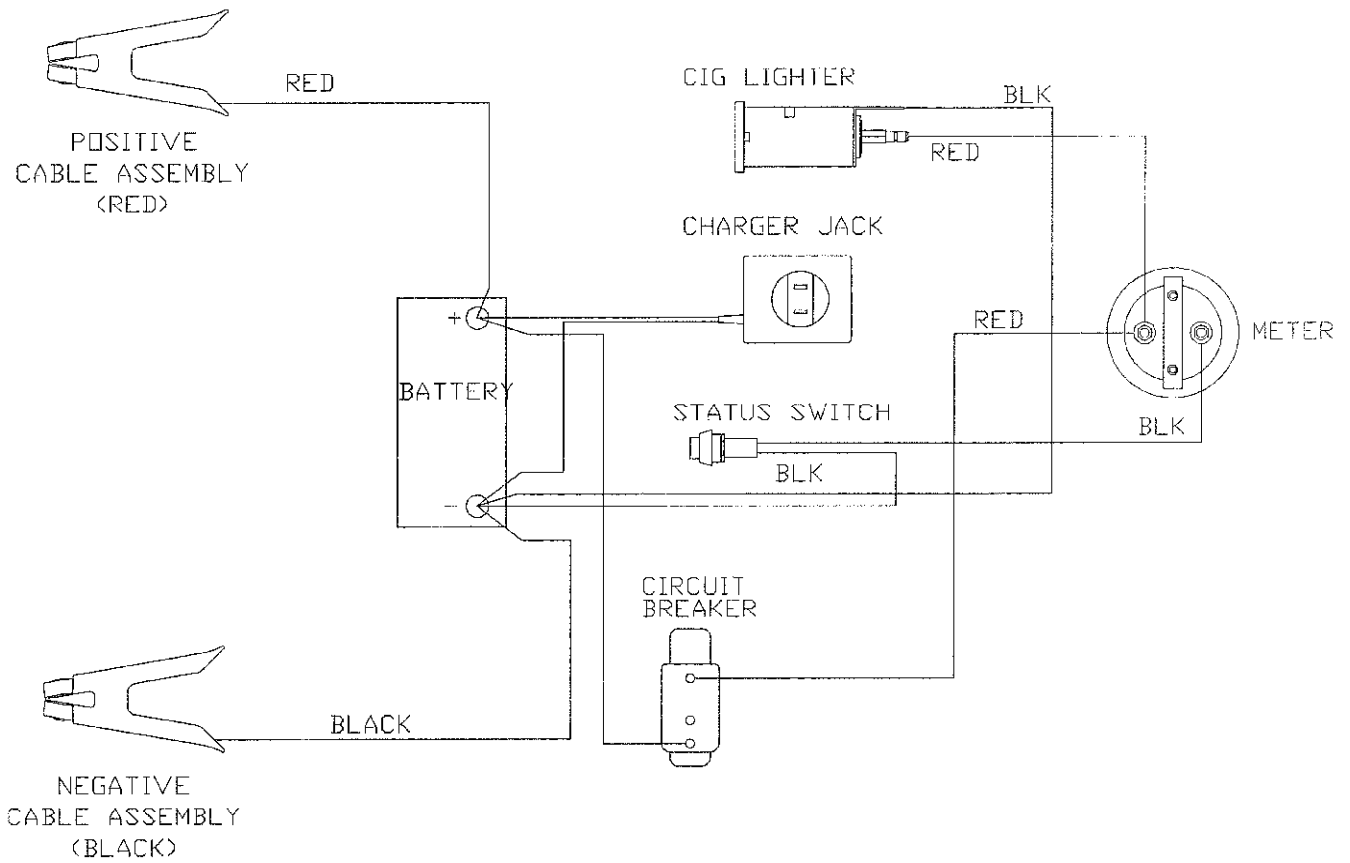


REPLACEMENT PARTS LIST
JNC660 w/manual charging
146-046-002



ITEM	PART NUMBER	DESCRIPTION
1	238-030-666	CABLE/CLAMP SET
2	JNC105	22AH BATTERY
3	246-416-666	20 AMP CIRCUIT BREAKER
4	141-361-666	CHARGER, 110V, 0.5AMP
5	247-095-666	VOLTMETER
6	246-004-666	STATUS SWITCH
7	ESA1	EXTENSION CORD
8	246-417-666	CIG SOCKET
	312-427-000	CLAMP GUARD

SERVICING SHOULD BE PERFORMED BY QUALIFIED SERVICE PERSONNEL.



WIRING DIAGRAM MANUAL CHARGING